

MATTISON®

CONTRACT BEDS

MATTRESSES | DIVANS | HEADBOARDS | SOFA BEDS



BEDS FOR BUSINESS • DESIGNED FOR DEMAND

With a range designed exclusively for the hotel and contract market, Mattison Contract Beds is one of the industry's leading manufacturers of contract beds with over 150 years of experience. As a UK manufacturer, Mattison Contract Beds produce mattresses, divan beds, headboards, sofa beds, guest beds, metal beds, bunk beds and bedding accessories which all comply with UK fire regulations. With an extensive portfolio of clients ranging from top hotel chains, universities, schools and cruise ships, through to interior designers, these are beds for business - designed for demand.

Our Services

- Free delivery*
- Free bed surveys and quotations
- Order any quantity
- Quick delivery lead times
- Discounts for quantity
- Contract Source 5 fire rated
- Bespoke sizes available
- Nationwide service
- Full installation and disposal service available
- Zip/Velcro® and link available on all models
- Over 150 years of experience
- Made to order

* Free delivery on orders of £500.00 or greater



Robust beds and mattresses direct from the manufacturer



A wide range and style of wall-mounted / bed-mounted headboards



Guest beds and sofa beds to add versatility to your rooms



Zip/Velcro® and link available on all models



A wide range and style of fabrics - or supply your own



Clever storage and drawer options available on all bases



Quality UK-based manufacturer

CONTACT OUR SALES OFFICE TODAY

Tel: 01473 255 888

Fax: 01473 255 889

info@mattisoncontractbeds.co.uk

www.mattisoncontractbeds.co.uk



MATTISON®

CONTRACT BEDS

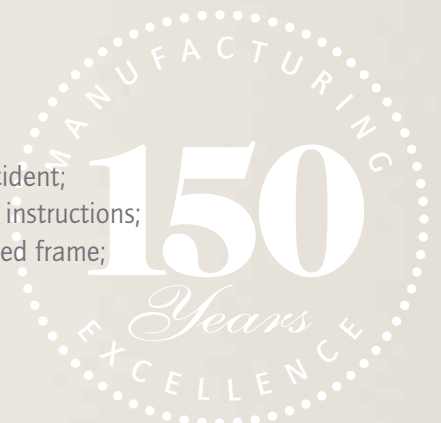
MATTRESSES | DIVANS | HEADBOARDS | SOFA BEDS

Our Guarantee

At Mattison Contract Beds, we stand by the quality of our products and offer a guarantee for defects through proven material failure or faulty workmanship on a 'repair or replacement' basis.

Thank you for choosing to purchase with us; throughout our distinguished history at Mattison Contract Beds, we've provided products designed exclusively for the hotel and contract market. We stand by the quality of our products and offer a guarantee to give you extra peace of mind. Should a defect arise through proven material failure or faulty workmanship, Mattison Contract Beds guarantees to repair or replace the mattress or divan base in accordance with the following:

- This guarantee applies only to goods purchased from Mattison Contract Beds. Mattison Contract Beds does not distribute via resellers or retailers and any claims made on this basis will be invalid.
- The guarantee commences on the date of delivery and is effective for 5 years for mattresses and divans.
 - Headboards are guaranteed for 1 year.
 - Metal mechanisms within duo beds/guest beds and ottomans are guaranteed for 1 year.
 - Sofa bed metal 'opening' mechanisms are guaranteed for 2 years. The sofa bed frame is guaranteed for 1 year.
 - Mattress and bed models within the Mattison Contract Beds' Campus Collection range are guaranteed for 1 year.
- Any claim must be submitted to Mattison Contract Beds within one month of the apparent defect becoming evident.
- The claim must be supported by your original proof of purchase.
- In the event of a dispute, Mattison Contract Beds may request an independent third party inspection of the products by a recognised and qualified organisation such as Furniture Industry Research Association before agreeing to carry out repairs/replacements.
- Mattison Contract Beds will arrange transport and cover transportation costs of any faulty goods, from and to the delivery address on the original invoice, and our factory.
- Mattison Contract Beds shall not be liable for any transportation and carriage costs, customs and documentation costs on any replacement product outside the UK mainland.
- If the product in question has been discontinued and cannot be repaired, then Mattison Contract Beds reserves the right to supply an equivalent or similar alternative.
- Following a repair, the guarantee will remain valid from the date of the original purchase.
- Mattison Contract Beds shall not be liable for incidental or consequential damages arising out of the use or inability to use this product, or for breach of this or any other express or implied guarantee.
- The terms of this guarantee are governed by English law.
- This guarantee does not affect your statutory rights.
- The guarantee does not apply:
 - If the care instructions have not been followed;
 - Where there is evidence of abuse, misuse or damage through neglect or accident;
 - Where the mattress has not been turned or rotated in accordance with care instructions;
 - Where a mattress has been used with an unsuitable divan base or slatted bed frame;
 - If the products are soiled, stained or unhygienic.



Bed Care Guidelines

At Mattison Contract Beds, we strive to make excellent products which will assist in ensuring your guests have a perfect stay. These guidelines will help you to maintain and protect your mattresses and divan bases to maximise their lifetime.

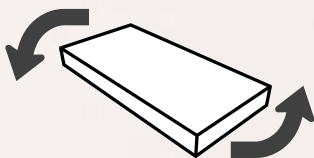
Caring for your bed Installation

- Do allow the mattress to air before covering with a mattress protector and bed linen.
- Do not bend the mattress.
- Do not use excessive force when fitting divan castors/legs/glides.
- Do not place a new mattress on an old divan base – this may invalidate the guarantee. Avoid using your new mattress on an old base as this can shorten the life expectancy and invalidate your guarantee.
- Use a mattress protector which will help the life of the mattress and prevent any accidental soiling and so keep your guarantee valid.
- Do not leave sheets, duvets or pillows on a sofa bed when folding it away as this can damage the metal folding action.

Caring for your bed Turning your mattress

Turning your mattress regularly helps the upholstery fillings to settle more evenly. This settlement of the upholstery fillings will be concentrated more in the centre of the mattress where you may see your impression (where your heaviest part of your body lays) – this is perfectly normal. Pocket sprung mattresses have deeper layers of upholstery and so take more time to settle. Turning of a mattress will involve rotating the mattress, and may also involve flipping the mattress.

- It is recommended that your mattress is turned on a quarterly basis, in accordance with our quarterly turning labels (if supplied).
- Do separate zipped/Velcro-&-linked mattresses before rotating and turning.
- Flipping of your mattress is not required where the mattress is sold as 'no turn', i.e. for a memory foam mattress or sofa bed mattress. 'No turn' mattresses should still be rotated quarterly to reduce the wear and tear of body weight on the springs.



ROTATING THE MATTRESS

Leaving the mattress in-situ on the base and rotating the mattress in a clockwise direction so that the foot and head ends are swapped with one another.



FLIPPING THE MATTRESS

The mattress should be flipped over so that the face which was the sleeping surface is now directly on the bed base.

Caring for your bed Cleaning

- Do treat stains and spills with dry towels or paper towels. Never use detergents or chemical cleaners as they damage materials. Specific cleaning instructions for fabrics provided by Mattison Contract Beds are available upon request. For customers own material, you will need to contact the establishment from which the fabric was acquired.
- Do not attempt to clean or reuse mattresses after urinary saturation – the mattresses should be discarded as permanent, untreatable damage will have occurred.
- Do not attempt to spot clean the mattress by any wet or damp means – this risks diluting or even removing the fire retardant qualities of the mattress fabric, which has been treated to comply with BS 7177 (crib 5) to satisfy the law for hotel use.



STANDARD SIZES

Our standard bed sizes are:

- 75cm x 190cm
- 90cm x 190cm
- 100cm x 200cm
- 120cm x 190cm
- 135cm x 190cm
- 150cm x 200cm
- 180cm x 200cm

Bespoke, made-to-measure sizes are also available upon request. Note that the above measurements are subject to a tolerance of ± 20 mm. Orders can be placed in either metric or Imperial measurements.

FOOT OPTIONS

All divan bases are fitted with castors as standard. All bases can be fitted with castors or glides (or a combination of both). Customers own choice of feet design can also be provided prior to manufacturing to provide a unique level of customisation.

SPLIT BASES

We advise that deep base double divans be manufactured in two halves for ease of access in widths up to 150cm, an additional charge for this feature applies. Bases with a width of 180cm and larger will automatically be manufactured in two halves at no extra cost. Bases can be split North-to-South or East-to-West. Please inform us at time of order of any split and your direction of preference.

FIRE RETARDANCY

All mattresses and divan bases are fully compliant with BS 7177 (Medium Hazard) Crib 5 Fire Retardancy standards for hotel and contract use.



CUSTOMERS OWN MATERIAL

Divan bases and headboards can be upholstered in our standard range of fabric options available upon request - or supply your own for a truly unique finish - subject to suitable abrasion tests and compliance with Fire Retardancy regulations. A fire retardancy/treatment certificate will be required to accompany the fabric prior to manufacturing.

ZIP & LINK / VELCRO & LINK

To offer flexibility in terms of rooms, the mattresses can be zipped and linked together to turn a twin room into a double, or vice versa. As an alternative to zip & link, we also offer Velcro and link.

5 YEAR GUARANTEE

At Mattison Contract Beds, we stand by the quality of our products and offer a 5 year guarantee for defects through proven material failure or faulty workmanship on a 'repair or replacement' basis. T&Cs apply.

ENVIRONMENTALLY SUSTAINABLE

As part of our ongoing commitment to environmentally sustainable manufacturing, we ensure responsible sourcing of materials and endeavour to ensure that no waste goes to landfill.

DRAWER OPTIONS

We offer a range of drawer options to complement our standard divan base options - with 1-drawer, 2-drawer, 3-drawer, continental drawer or slider options. Suitcase storage options are available with one or two openings. Speak with our sales team for more info.



INDUSTRY PARTNER





135cm x 190cm deep platform top divan on twin-wheel castors with a 142cm high floor-standing Azalea headboard upholstered in Presto Wheat

Club Class

The Club Class mattress is our flagship model, manufactured using techniques perfected over our distinguished history. It offers the ultimate in comfort and luxury, incorporating a luxurious 2,000 pocket sprung mattress with deep fillings comprising of silk, wool and cotton with hand side stitched borders.

Also featured on this model are flag stitched turning handles on all sides - making it considerably easier for housekeeping staff to turn the mattress - and breather vents to assist in keeping the mattress ventilated in all seasons. The Club Class mattress is completed with tufting; not only creating

a beautiful decorative finish to the mattress, but also creating high loft cushions of super-soft comfort. Having been designed specifically for the hotel and contract market, the durable and breathable anti-bed bug treated fabric will stand the test of time. EULAN® SPA 01 treatment has been applied to the mattress ticking to offer high-performant bug protection and is Ökotex-Standard 100 approved. This treatment is odourless and guaranteed skin-safe.

MATTRESS SPECIFICATION (1387)

Springs	2,000 pocket springs
Spring gauge	1.6mm wire
Frame	Flat strip edge
Supports	Centre stay
Insulator	Topaz
Tick	T1583 (55% viscose 45% bamboo pulp FR Crib 5 with anti-bed bug treatment)

Fillings	Rebound polycotton Hi Loft Wool PPNW Silk
Border	Hand side stitched - 3 rows
Handles	8 horizontal flag stitched handles 4 handles on widths up to 120cm
Vents	8 nickel vents 4 vents on widths up to 120cm
Labels	Medium Hazard (Crib 5) label Centre label & turning labels
Height	320mm





135cm x 190cm deep platform top divan on twin-wheel castors with a 142cm high floor-standing Azalea headboard upholstered in Emporio Faux Linen Terracotta

Penthouse

The Penthouse mattress is one of the premier models in the Mattison collection, with 2,000 individually nested springs within. Upholstered using some of the finest materials available, including Dutch wool and silk, the mattress is hand side stitched with a tufted finish and is available in a choice of base and size options.

Also featured on this model are flag stitched turning handles - making it considerably easier for housekeeping staff to turn the mattress - and breather vents to assist in keeping the mattress well-ventilated in all seasons. The mattress is completed with tufting; not only creating a beautiful

decorative finish to the mattress, but also creating high loft cushions of super-soft comfort. Having been designed specifically for the hotel and contract market, the durable and breathable anti-bed bug treated fabric will stand the test of time. EULAN® SPA 01 treatment has been applied to the mattress ticking to offer high-performant bug protection and is Ökotex-Standard 100 approved. This treatment is odourless and guaranteed skin-safe.

PENTHOUSE MATTRESS SPECIFICATION (1223)

Springs	2,000 pocket springs
Spring gauge	1.6mm wire
Frame	Flat strip edge
Supports	Centre stay
Insulator	Topaz
Tick	T1079 (100% viscose FR Crib 5 with anti-bed bug treatment)

Fillings	Horsehair Hi Loft Wool PPNW Silk
Border	Hand side stitched - 2 rows
Handles	8 horizontal flag stitched handles 4 handles on widths up to 120cm
Vents	8 nickel vents 4 vents on widths up to 120cm
Labels	Medium Hazard (Crib 5) label Centre label & turning labels
Height	310mm





135cm x 190cm deep platform top divan on twin-wheel castors with a 142cm high floor-standing Jasmine headboard upholstered in Presto Nutmeg

Natural *Supreme*

The Natural Supreme mattress has been designed to cater for those who demand natural fillings within their mattress and packs in 2,000 pocket springs for exquisite support and comfort. The support of the mattress is complemented with natural fillings including wool, cashgora, silk, bamboo, alpaca and mohair and insulated with natural coir fibre.

Also featured on this model are flag stitched turning handles on all sides - making it considerably easier for housekeeping staff to turn the mattress - and breather vents to assist in keeping the mattress well-ventilated in all seasons. The mattress is completed with the finest Belgian damask and

tufting; not only creating a beautiful decorative finish to the mattress, but also creating high loft cushions of super-soft comfort.

Having been designed specifically for the hotel and contract market, the durable and breathable anti-bed bug treated fabric will stand the test of time. BugShield® treatment has been applied to the mattress ticking to offer high-performant bug protection and is guaranteed skin safe.

NATURAL SUPREME MATTRESS SPECIFICATION (1993)

Springs	2,000 pocket springs (Double stack)
Spring gauge	1.4mm wire
Frame	Flat strip edge
Supports	Centre stay
Insulator	Coir fibre
Tick	T1579 (100% viscose FR Crib 5 with anti-bed bug treatment)

Fillings	Bonded wool rebound Wool, cashgora, silk and mohair Viscose bamboo & viscose alpaca
Border	Hand side stitched - 2 rows
Handles	8 horizontal flag stitched handles 6 handles on widths up to 120cm
Vents	8 nickel vents 4 vents on widths up to 120cm
Labels	Medium Hazard (Crib 5) label Centre label & turning labels
Height	300mm





135cm x 190cm deep platform top divan on shepherd castors with a 142cm high floor-standing Fresia headboard upholstered in Presto Fudge

Natural Comfort

The Natural Comfort mattress has been designed to cater for those who demand natural fillings within their mattress with 1,400 pocket springs for exquisite support and comfort. The support of the mattress is complemented with natural fillings including cotton, wool and silk.

Notable features on this pocket sprung model are flag stitched turning handles - making it considerably easier for housekeeping staff to turn the mattress - and breather vents to assist in keeping the mattress well-ventilated in all seasons. The mattress is completed with tufting; not only creating a beautiful decorative finish to the mattress, but

also creating high loft cushions of super-soft comfort.

Having been designed specifically for the hotel and contract market, the durable and breathable anti-bed bug treated fabric will stand the test of time. BugShield® treatment has been applied to the mattress ticking to offer high-performant bug protection and is guaranteed skin safe.

NATURAL COMFORT MATTRESS SPECIFICATION (1991)

Springs	1,400 pocket springs
Spring gauge	1.6mm wire
Frame	Flat strip edge
Supports	Centre stay
Insulator	Topaz
Tick	T1580 (65% viscose 35% cotton FR Crib 5 with anti-bed bug treatment)

Fillings	Rebound polycotton PPNW Silk
Border	Jump & Tack microbond border
Handles	4 horizontal flag stitched handles
Vents	4 nickel vents
Labels	Medium Hazard (Crib 5) label Centre label & turning labels
Height	250mm





135cm x 190cm deep platform top divan on shepherd castors with a 142cm high floor-standing Azalea headboard upholstered in Faux Linen Linen

Monarch

The luxurious Monarch pocket sprung mattress is designed for those who demand quality and comfort. It combines a 1400 pocket spring unit with layers of quality fillings, including pure new wool and silk, ensuring your guests comfort night after night.

Also featured on this model are flag stitched turning handles on all sides - making it considerably easier for housekeeping staff to turn the mattress - and breather vents to assist in keeping the mattress well-ventilated in all seasons. The mattress is completed with tufting; not only creating a beautiful decorative finish to the mattress, but also creating

high loft cushions of super-soft comfort. Having been designed specifically for the hotel and contract market, the durable and breathable anti-bed bug treated fabric will stand the test of time. EULAN® SPA 01 treatment has been applied to the mattress ticking to offer high-performant bug protection and is Ökotex-Standard 100 approved. This treatment is odourless and guaranteed skin-safe.

MONARCH MATTRESS SPECIFICATION (1057)

Springs	1,400 pocket springs
Spring gauge	1.6mm wire
Frame	Flat strip edge
Supports	Centre stay
Insulator	Microbond
Tick	T1571 (59% viscose 31% cotton, 10% polypropylene FR Crib 5 with anti-bed bug treatment)

Fillings	Rebound polycotton Rebound PPNW Silk
Border	Jump & Tack microbond border
Handles	6 horizontal flag stitched handles
Vents	4 nickel vents
Labels	Medium Hazard (Crib 5) label Centre label & turning labels
Height	280mm





135cm x 190cm deep platform top divan on shepherd castors with a 142cm high floor-standing Lavender headboard upholstered in Presto Shiraz

Hotel Ambassador

The Hotel Ambassador is a new addition to our range and has comfort and support at its heart. It all starts with the 2,000 pocket springs nestled safely within deep fillings.

Also featured on this model are flag stitched turning handles on all sides - making it considerably easier for housekeeping staff to turn the mattress - and breather vents to assist in keeping the mattress well-ventilated in all seasons. The mattress is completed with the finest Belgian damask and tufting; not only creating a beautiful decorative finish to the mattress, but also creating high loft cushions of super-soft comfort.

Having been designed specifically for the hotel and contract market, the durable and breathable anti-bed bug treated fabric will stand the test of time. EULAN® SPA 01 treatment has been applied to the mattress ticking to offer high-performant bug protection and is Ökotex-Standard 100 approved. This treatment is odourless and guaranteed skin-safe.

HOTEL AMBASSADOR MATTRESS SPECIFICATION (2015)

Springs	2,000 pocket springs (Double stack)
Spring gauge	1.6mm wire
Frame	Flat strip edge
Supports	Centre stay
Insulator	Microbond
Tick	T1216 (64% viscose 36% cotton FR Crib 5 with anti-bed bug treatment)

Fillings	Rebound
Border	Hand side stitched - 2 rows
Handles	6 horizontal flag stitched handles
Vents	4 nickel vents
Labels	Medium Hazard (Crib 5) label Centre label & turning labels
Height	300mm





135cm x 190cm deep platform top divan on shepherd castors with a 142cm high floor-standing Azalea headboard upholstered in Faux Linen Sky

Hotel Sublime

The Hotel Sublime mattress offers 1,200 pocket springs and unparalleled support with 10 side supports. With a natural coir fibre insulator and some indulgent fillings including silk and cashmere, this mattress will provide guests with great rest.

Also featured on this model are flag stitched turning handles - making it considerably easier for housekeeping staff to turn the mattress - and breather vents to assist in keeping the mattress well-ventilated in all seasons. The mattress is completed with the finest Belgian damask and tufting; not only creating a beautiful decorative finish to the mattress,

but also creating high loft cushions of super-soft comfort.

Having been designed specifically for the hotel and contract market, the durable and breathable anti-bed bug treated fabric will stand the test of time. EULAN® SPA 01 treatment has been applied to the mattress ticking to offer high-performant bug protection and is Ökotex-Standard 100 approved. This treatment is odourless and guaranteed skin-safe.

HOTEL SUBLIME MATTRESS SPECIFICATION (2011)

Springs	1,200 pocket springs
Spring gauge	1.6mm wire
Frame	Flat strip edge
Supports	Centre stay with 10 side supports
Insulator	Coir fibre FR
Tick	T1578 (100% viscose FR Crib 5 with anti-bed bug treatment)

Fillings	Rebound polycotton PPNW Cashmere PPNW Silk
Border	Jump & Tack microbond border
Handles	4 horizontal flag stitched handles
Vents	2 nickel vents
Labels	Medium Hazard (Crib 5) label Centre label & turning labels
Height	280mm





135cm x 190cm shallow platform top divan on 6 lockable legs and plates with a 142cm high floor-standing Cumberland headboard upholstered in Faux Linen Mink

Hotel Royale

The Hotel Royale offers a 1,200 pocket sprung mattress with deep fillings and a touch of silk for a luxurious medium-firm feel and wrapped in the finest Belgian damask.

Notable features on this pocket sprung model are flag stitched turning handles - making it considerably easier for housekeeping staff to turn the mattress - and breather vents to assist in keeping the mattress well-ventilated in all seasons. The mattress is completed with tufting; not only creating a beautiful decorative finish to the mattress, but also creating high loft cushions of super-soft comfort.

Having been designed specifically for the hotel and contract market, the durable and breathable anti-bed bug treated fabric will stand the test of time. EULAN® SPA 01 treatment has been applied to the mattress ticking to offer high-performant bug protection and is Ökotex-Standard 100 approved. This treatment is odourless and guaranteed skin-safe.

HOTEL ROYALE MATTRESS SPECIFICATION (2016)

Springs	1,200 pocket springs
Spring gauge	1.6mm wire
Frame	Flat strip edge
Supports	Centre stay
Insulator	Topaz
Tick	T1579 (100% viscose FR Crib 5 with anti-bed bug treatment)

Fillings	Bondafelt FR Rebound polycotton PPNW Silk
Border	Jump & Tack microbond border
Handles	4 horizontal flag stitched handles
Vents	2 nickel vents
Labels	Medium Hazard (Crib 5) label Centre label & turning labels
Height	280mm





135cm x 190cm deep platform top divan on shepherd castors with a 142cm high floor-standing Lotus headboard upholstered in Faux Linen Stone

Majesty Pillowtop

The Majesty Pillowtop mattress offers the unparalleled support of a pocket sprung mattress finished with the exquisite comfort of a cushioned pillow top layer. The Majesty Pillowtop is a 1,000 pocket, medium tension, 'No Turn' mattress extravagantly filled with silk and wool - these natural fillings help to regulate body temperature to provide a better night's sleep. The pillowtop layer is discreetly attached to the mattress and as a 'No Turn' mattress only requires rotating on the base rather than flipping to reduce wear.

market, the durable and breathable anti-bed bug treated fabric will stand the test of time. EULAN® SPA 01 treatment has been applied to the mattress ticking to offer high-performant bug protection and is Ökotex-Standard 100 approved. This treatment is odourless and guaranteed skin-safe. Pair the mattress with a host of options for the bed base to suit requirements - and opt to upholster in our range of fabric options - or supply your own.

Having been designed specifically for the hotel and contract

MAJESTY PILLOWTOP MATTRESS SPECIFICATION (1990)

Springs	1,000 pocket springs
Spring gauge	1.6mm wire
Frame	Flat strip edge
Supports	Centre stay and side-supports
Insulator	Duo mixed fibre
Tick	T1560 (73% viscose, 27% polypropylene FR Crib 5 with anti-bed bug treatment)
Fillings (pillow top)	Polyester Polyester, Pure New Wool / Silk Schedule 3 interliner

Fillings (core)	Polyester
Border	Hand side stitched - 2 rows
Handles	8 horizontal flag stitched handles
Vents	16 nickel vents
Labels	Medium Hazard (Crib 5) label
Height	320mm





90cm x 190cm (x2) deep platform top divans on shepherd castors with 142cm high floor-standing Fresia headboard upholstered in Presto Fudge

Excelsior *Deluxe*

Designed as a model to provide the ultimate in comfort and durability, the Excelsior Deluxe with 1,200 pocket springs has proven to be one of our most popular models. It lives up to the task perfectly, giving real comfort and exceptional value for money, making it the obvious choice for so many of our customers.

Notable features on this pocket sprung model are flag stitched turning handles - making it considerably easier for housekeeping staff to turn the mattress - and breather vents to assist in keeping the mattress well-ventilated in all seasons. The mattress is completed with tufting; not only

creating a beautiful decorative finish to the mattress, but also creating high loft cushions of super-soft comfort. Having been designed specifically for the hotel and contract market, the durable and breathable anti-bed bug treated fabric will stand the test of time. Greenfirst® has been applied to the mattress ticking to offer high-performant bug protection as a natural treatment free from chemical active substances and is guaranteed skin safe.

EXCELSIOR DELUXE MATTRESS SPECIFICATION (1657)

Springs	1,200 pocket springs
Spring gauge	1.6mm wire
Frame	Flat strip edge
Supports	Centre stay
Insulator	Microbond
Tick	T1188 (62% viscose 38% cotton FR Crib 5 with anti-bed bug treatment)

Fillings	Rebound
Border	Jump & Tack microbond border
Handles	4 horizontal flag stitched handles
Vents	2 nickel vents
Labels	Medium Hazard (Crib 5) label Centre label & turning labels
Height	290mm





135cm x 190cm split deep platform top divan on shepherd castors with a 142cm high floor-standing Cumberland headboard upholstered in Faux Linen Mink

Aston

A recent addition to the range, the Aston mattress has been designed from the core to offer a firmer-feel amongst our entry-level mattresses. With thicker, 1.9mm wire and side supports used in the construction of the mattress frame and 1,000 pocket springs, this offers unique and adapting comfort and support exactly where you need it.

Also featured on this model are flag stitched turning handles - making it considerably easier for housekeeping staff to turn the mattress - and breather vents to assist in keeping the mattress well-ventilated in all seasons. The mattress is completed with Belgian damask and tufting; not

only creating a beautiful decorative finish to the mattress, but also creating high loft cushions of super-soft comfort.

Having been designed specifically for the hotel and contract market, the durable and breathable anti-bed bug treated fabric will stand the test of time. EULAN® SPA 01 treatment has been applied to the mattress ticking to offer high-performant bug protection and is Ökotex-Standard 100 approved. This treatment is odourless and guaranteed skin-safe.

ASTON MATTRESS SPECIFICATION (1965)

Springs	1,000 pocket springs
Spring gauge	1.9mm wire
Frame	Flat strip edge
Supports	Centre stay and side supports
Insulator	Duo S
Tick	T1563 (75% viscose 25% polypropylene FR Crib 5 with anti-bed bug treatment)

Fillings	Rebound polycotton
Border	Vertical stitch border made with wool interliner
Handles	4 horizontal flag stitched handles
Vents	2 nickel vents
Labels	Medium Hazard (Crib 5) label Centre label & turning labels
Height	260mm





135cm x 190cm deep platform top divan on shepherd castors with a 142cm high floor-standing Jasmine headboard upholstered in Presto Nutmeg

Hotel Monaco

The Hotel Monaco mattress looks as good as it feels, with plush fillings including polyester, Pure New Wool and silk and offers exceptional value for money for 1,200 pocket springs. Notable features on this pocket sprung model are flag stitched turning handles - making it considerably easier for housekeeping staff to turn the mattress - and breather vents to assist in keeping the mattress well-ventilated in all seasons. The mattress is completed with tufting; not only creating a beautiful decorative finish to the mattress, but also creating high loft cushions of super-soft comfort.

completes this mattress. Having been designed specifically for the hotel and contract market, the durable and breathable anti-bed bug treated fabric will stand the test of time. EULAN® SPA 01 treatment has been applied to the mattress ticking to offer high-performant bug protection and is Ökotex-Standard 100 approved. This treatment is odourless and guaranteed skin-safe.

A quality Belgian Damask fabric with a fresh new design

HOTEL MONACO MATTRESS SPECIFICATION (2014)

Springs	1,200 pocket springs
Spring gauge	1.6mm wire
Frame	Flat strip edge
Supports	Centre stay
Insulator	Topaz
Tick	T1580 (65% viscose 35% cotton FR Crib 5 with anti-bed bug treatment)

Fillings	Rebound polycotton PPNW Silk
Border	Jump & Tack microbond border
Handles	4 horizontal flag stitched handles
Vents	2 nickel vents
Labels	Medium Hazard (Crib 5) label
Height	270mm





135cm x 190cm split deep platform top divan on shepherd castors with a 142cm high floor-standing Fresia headboard upholstered in Faux Linen Cream

Hotel Cosmopolitan

One of our most popular models, the Hotel Cosmopolitan uses our own pocket spring unit and has been designed to cater for those who demand the excellent quality and feel of a pocket sprung mattress at an exceptional price. The 1,000 pocket springs and sumptuous fillings give the Hotel Cosmopolitan its unique feel; it is finished using a tufted effect, keeping layers of fillings secure and safely in position.

Also featured on this model are flag stitched turning handles - making it considerably easier for housekeeping staff to turn the mattress - and breather vents to assist in keeping the mattress well-ventilated in all seasons. Having

been designed specifically for the hotel and contract market, the durable and breathable anti-bed bug treated fabric will stand the test of time. BugShield® treatment has been applied to the mattress ticking to offer high-performant bug protection and is guaranteed skin safe.

HOTEL COSMOPOLITAN MATTRESS SPECIFICATION (1677)

Springs	1,000 pocket springs
Spring gauge	1.6mm wire
Frame	Flat strip edge
Supports	Centre stay
Insulator	Microbond
Tick	T1147 (100% cotton FR Crib 5 with anti-bed bug treatment)

Fillings	Rebound
Border	Microbond vertical stitch border
Handles	4 horizontal flag stitched handles
Vents	2 nickel vents
Labels	Medium Hazard (Crib 5) label Centre label & turning labels
Height	260mm





135cm x 190cm split deep platform top divan on shepherd castors with a 142cm high floor-standing Sunflower headboard upholstered in Presto Fudge

Hotel Senator

The Hotel Senator mattress is our entry-level model within our range and offers exceptional value for money - with 1,000 comfortable pocket springs and multi-layered fillings. Also featured on this model are flag stitched turning handles - making it considerably easier for housekeeping staff to turn the mattress - and breather vents to assist in keeping the mattress well-ventilated in all seasons.

the durable and breathable anti-bed bug treated fabric will stand the test of time. BugShield® treatment has been applied to the mattress ticking to offer high-performant bug protection and is guaranteed skin safe.

The mattress is completed with tufting; not only creating a beautiful decorative finish to the mattress, but also creating high loft cushions of super-soft comfort. Having been designed specifically for the hotel and contract market,

HOTEL SENATOR MATTRESS SPECIFICATION (2026)

Springs	1,000 pocket springs
Spring gauge	1.6mm wire
Frame	Flat strip edge
Supports	Centre stay
Insulator	Topaz
Tick	T1676 (73% Cotton 27% Polyester FR Crib 5 with anti-bed bug treatment)

Fillings	FR Bondafelt Ultrafirm 10
Border	Wool vertical stitch border
Handles	4 horizontal flag stitched handles
Vents	2 nickel vents
Labels	Medium Hazard (Crib 5) label Centre label
Height	230mm





Apollo Pine Bunk

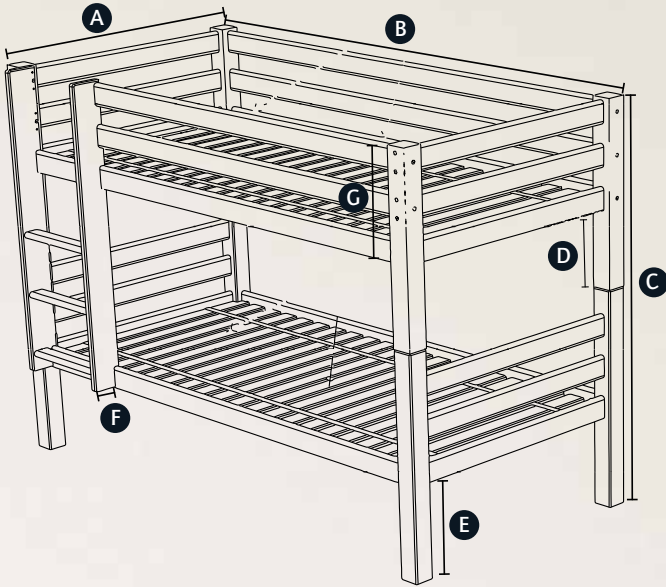
The Apollo pine bunk bed frame is a heavy duty bunk bed suitable for all contract use and conforms with British consumer safety regulations (BS EN 747). Multi-functional and ultra-secure, the Apollo frame is available in 2 widths - 75cm and 90cm. This is a traditional bunk bed with a solid pine frame and a varnished finish. For quantity orders, alternative finishes are available upon request. The bunk bed frame is detachable and can be used as two single bed frames to maximise room occupancy and provide versatility

within rooms. Special features are a fixed position ladder which can be assembled on either side of the frame, and a solid slatted base, providing firmer support and allowing air to circulate beneath the mattresses.

The maximum weight load for each frame is 120kg and is suitable for adults and children alike. Note that the frame can accommodate mattress depths up to 200mm.

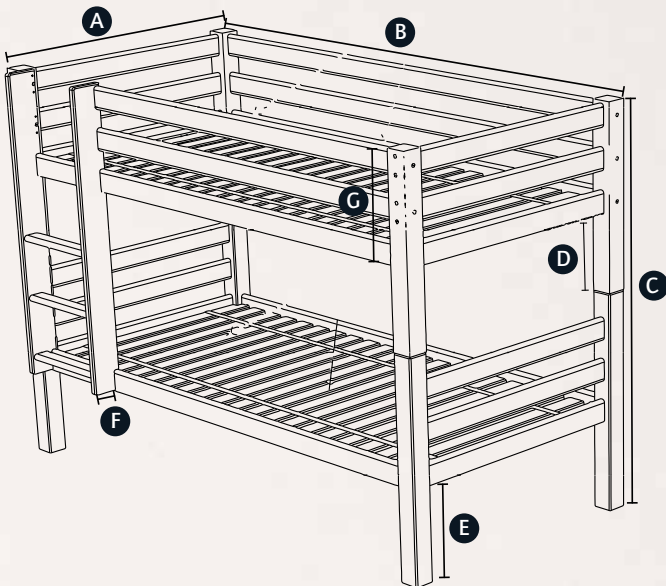


APOLLO PINE BUNK BED SPECIFICATION | to accommodate 75cm wide x 190cm long mattresses



A	Bunk bed overall width: 875mm
B	Bunk bed overall length: 2053mm
C	Bunk bed overall height: 1528mm
D	Top-bunk ground clearance: 295mm
E	Bottom-bunk ground clearance: 305mm
F	Ladder depth: 57mm
G	Side rail height : 410mm

APOLLO PINE BUNK BED SPECIFICATION | to accommodate 90cm wide x 190cm long mattresses



A	Bunk bed overall width: 1025mm
B	Bunk bed overall length: 2053mm
C	Bunk bed overall height: 1528mm
D	Top-bunk ground clearance: 295mm
E	Bottom-bunk ground clearance: 305mm
F	Ladder depth: 57mm
G	Side rail height : 410mm

MATTRESSES SOLD SEPARATELY

Mattison Contract Beds offer a range of mattresses at varying depths (of up to 200mm deep) which can fit the Apollo Pine Bunk Bed frame.



INDUSTRY PARTNER





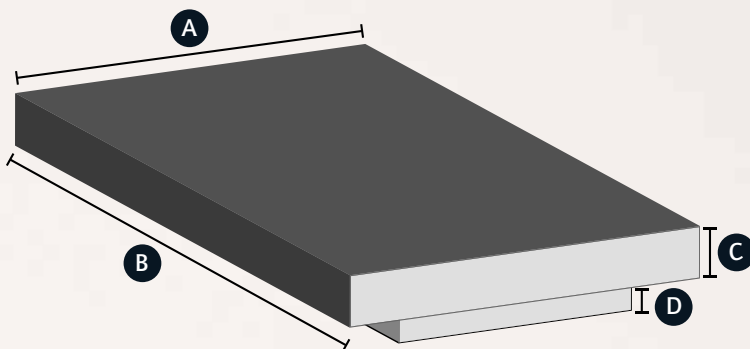
135cm x 190cm floating bed base divan with a 71cm wall-mounted Sunflower headboard upholstered in Proposta Charcoal

Floating Bed Base

For those wanting something a little different and guaranteed to capture guests attention, this boutique-style floating bed base frame is ideal. It combines contemporary, modern style with optimal support and comfort. The floating bed base frame features an inset bed frame/plinth to allow the platform top and mattress to effectively float above the floor.

Any mattress within the Mattison Contract Beds range can be paired with the floating bed base frame to create a bed set which won't go unnoticed.

For those wanting to make the bed the focal centrepiece of their rooms, position LED strip lighting under the platform top section to further enhance the illusion of a floating bed base whilst providing guests with unobstrusive night-lighting.



A Bed overall width(s):
90/100/135/150/180cm

B Bed overall length: 190cm/200cm

C Shallow platform top height: 205mm

D Plinth height: 150mm

Mattison Contract Beds offer a range of mattresses which can be paired with the floating bed base frame. Height of the plinth/platform top sections can be altered upon request.

MATTRESSES SOLD SEPARATELY

Mattison Contract Beds offer a range of mattresses which can be paired with the floating bed base frame.





90cm x 190cm (x2) deep platform top divans on shepherd castors with 142cm high floor-standing Fresia headboard upholstered in Presto Fudge

Zip & Link

A zip & link mattress is essentially two separate mattresses that can be zipped together to form one bed or separated to make two individual beds; this is an ideal solution for hotels and guest houses where the bed can be adapted to suit guest requirements. Whether it be a bed for a guest house or spare room, zip and link offers flexibility for your sleeping requirements.

First and foremost, those sleeping on zip & link beds will not be able to feel the zips - the zippers are situated on the sides at the top and bottom of the mattress to enable the mattresses to be joined together in all combinations of rotation. If ordered as a set, divan bases are linked using a linking bar. Zip & link has distinct advantages over a full-size mattress - each side of the bed is entirely independent of each other, enables delivery where access may be an issue, and it makes the job of turning mattresses significantly easier for housekeeping! Do note when selecting headboards that you will need 2 single bed-mounted headboards (or extra-wide if wall-mounted) to ensure that the beds can be separated without removal.





90cm x 190cm (x2) deep platform top divans on shepherd castors with 142cm high floor-standing Fresia headboard upholstered in Presto Fudge

Velcro & Link

A Velcro® & link mattress is essentially two separate mattresses that can be joined together to form one bed or separated to make two individual beds; this is an ideal solution for hotels and guest houses where the bed can be adapted to suit guest requirements. Whether it be a bed for a guest house or spare room, Velcro® and link offers flexibility for your sleeping requirements.

First and foremost, those sleeping on Velcro® & link beds will not be able to feel the join - the Velcro® is hidden underneath a flap on the top and bottom of the mattress to enable the mattresses to be joined together in all combinations of rotation. If ordered as a set, divan bases are linked using a linking bar. Velcro® & link has distinct advantages over a full-size mattress - each side of the bed is entirely independent of each other, enables delivery where access may be an issue, and it makes the job of turning mattresses significantly easier for housekeeping! Do note when selecting headboards that you will need 2 single bed-mounted headboards (or extra-wide if wall-mounted) to ensure that the beds can be separated without removal.





135cm x 200cm guest bed divan on shepherd castors with a 135cm wide floor-standing Fresia headboard upholstered in Faux Linen Cream

Guest Beds

The guest bed / duo bed option is the perfect choice for combining contemporary styling with functionality and versatility where space is at a premium.

With the underbed folded away, you have yourself a space-saving single bed on a non-sprung platform top divan. Slide out the underbed mounted on integrated castors to reveal a versatile underbed; and take advantage of the spring-assisted H-frame metal legs to raise the underbed.

Divan bases and headboards can be upholstered in our standard range of fabric options available upon request - or supply your own for a truly unique finish - subject to suitable abrasion tests and compliance with Fire Retardancy regulations. A fire retardancy/treatment certificate will be required to accompany the fabric prior to manufacturing.

Any mattress within our range can be paired with the occasional-use open coil mattress supplied with the underbed to create your guest bed to a price point and quality to suit you and your guests. The mattress is completed with tufting; not only creating a beautiful decorative finish to the mattress, but also creating high loft cushions of super-soft comfort. Also featured on this model are flag stitched turning handles - making it considerably easier for housekeeping staff to turn the mattress - and breather vents to assist in keeping the mattress well-ventilated in all seasons.

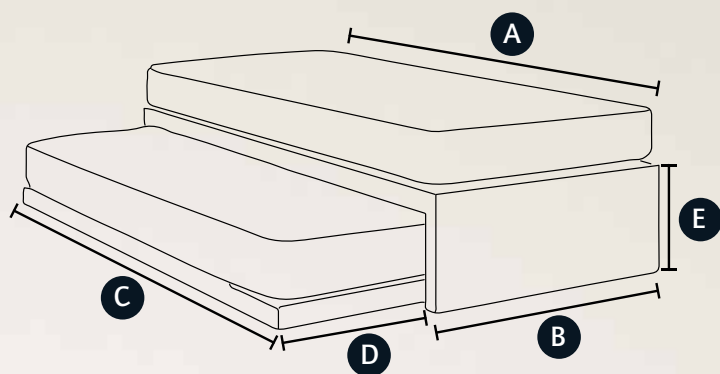
Headboards sold separately.





90cm x 200cm guest bed divan on shepherd castors with a 90cm wide floor-standing Fresia headboard upholstered in Faux Linen Cream

Guest Beds



- A** Bed overall length: 2000mm

- B** Bed overall width(s):
900/1350/1500/1800mm

- C** Underbed overall length: 1830mm

- D** Underbed overall width:
750mm for 900mm wide beds
900mm for widths greater than 900mm

- E** Standard base height: 400mm

For 180cm wide beds, bases can be configured to include 2 underbeds. Call our Sales team for more info.





135cm x 190cm suitcase storage divan on shepherd castors with a 142cm high floor-standing Azalea headboard upholstered in Faux Linen Linen

Suitcase Storage

Perfect for guest rooms or those who are pushed for space, the suitcase storage bed bases help you utilise every inch of storage available and allow guests to keep their luggage stored discretely whilst keeping rooms clutter-free. With a generous 285mm opening to accommodate deep suitcases, the additional storage space offered by this style of divan base is maximised.

The suitcase opening will be on one side as standard, with an option for opening both sides (in double sizes and above) and exposed; an upholstered velcro flap is available on request.



MATTISON®

CONTRACT BEDS

MATTRESSES | DIVANS | HEADBOARDS | SOFA BEDS



Our sleep surface mattress protection designed with banded straps for a sturdy fit. Ideal for zipped/velcroed mattresses.

Keep your mattress brand new by protecting the sleep surface from everyday wear and tear.

Maximum protection with 4 sides of waterproofing (top, bottom, left and right sides), and air venting ends to provide a cool night's sleep.

Protect your pillow from normal wear & tear, and protect your guests from allergic reactions from dust mites.

Features and Benefits	Pad-Style	Fitted Sheet-Style	Pro-Max	Pillow Protector
Machine Washable	✓	✓	✓	✓
No-Rip Commercial Warranty	✓	✓	✓	
Waterproof	✓	✓	✓	
Breathable	✓	✓	✓	✓
Hypoallergenic	✓	✓	✓	✓
MicronOne	✓	✓	✓	✓
MicroLuxe Fabric		✓	✓	
Side Protection		✓	✓	
Zip 'N' Click			✓	
Blocks Mold Spores			✓	
Blocks Bed Bugs/Dust Mites			✓	
Quilted Sleep Surface	✓			
Water Resistant				✓
Manufacturers Warranty	2 Years	10 Years	10 Years	10 Years

CleanBrand Mattress Protectors & Encasements	Waterproof mattress protector - Pad style	Waterproof, breathable mattress protector - fitted sheet style	Pro Max mattress encasement with multi-sided waterproofing
75 x 190cm	8.99	9.99	27.99
90 x 190cm	8.99	10.99	28.99
90 x 200cm	8.99	11.99	29.99
100 x 200cm	9.99	12.99	31.99
120 x 190cm	10.99	13.99	34.99
135 x 190cm	11.99	14.99	35.99
150 x 200cm	13.99	15.99	39.99
180 x 200cm	14.99	17.99	46.99
200 x 200cm	15.99	18.99	49.99

CleanBrand Pillow Protectors	Premium mattress protector
50 x 75cm (single)	6.99

All prices quoted are in Pound Sterling (£ GBP) and are subject to VAT at the current rate. E. & O.E.

