

# INSPIRA

YOUR STYLE, YOUR BATHROOM



**Roca**

[www.uk.roca.com/inspira](http://www.uk.roca.com/inspira)

# The creation of Inspira

Select, combine, and unite your design with confidence - style guaranteed. With their perfect alignment you are free to be creative with the reassurance of a winning design combination.

This is the beauty of Inspira, a collection of complementary styles that harmoniously combine to ensure perfect results regardless of the chosen design approach, for guaranteed style in the bathroom.

## An Inspired Concept

“YOUR STYLE, YOUR BATHROOM”

Roca presents Inspira, a new bathroom design concept.

Conceived from the most essential of geometrical shapes, Inspira is a system based on three design lines; Round, Soft and Square which, as well as providing design solutions on their own, also work in perfect harmony with each other when combined.

At Roca we know that your bathroom is a reflection of your personality. Whatever your personal style or aspiration, Inspira offers you the flexibility to create your own individual solution.

# Three design lines

The new, versatile vitreous china and furniture collection offers three design lines and multiple combinations so, whatever the desired style, you can find the design solution to create the perfect bathroom space.



## INSPIRA® **ROUND**

Stylish, pure and gracious  
Its elegant and gentle form makes the natural geometry  
intriguingly beautiful



## INSPIRA® **SOFT**

A result of the fusion between **Square** and **Round**,  
which broadens the aesthetic appeal



## INSPIRA® **SQUARE**

Minimal defined and precise  
Its sleek shape will enhance architecture by offering a  
subtle addition to the design aesthetic



### SOPHIE'S BATHROOM

Sophie is a 30 year old ballet dancer who lives in Paris.

Sophie spends her days training to improve the flexibility and coordination needed to develop softness and delicate movements in her dancing. When she arrives home she seeks a sanctuary in which to relax and unwind.

This is why Sophie has chosen Inspira ROUND, which offers smooth and sophisticated design lines, together with the White Gloss furniture finish combine perfectly to create a feminine and serene space.



### PAUL'S BATHROOM

Paul, 42, is a professional Architect who lives in Barcelona.

He is meticulously detailed and a perfectionist who likes pure design lines which provide visual order to his surroundings. He may be flexible at work, but at home this is the only way he can live in harmony.

After careful consideration Paul has opted for the straight and square forms of Inspira SQUARE, creating a minimalist, defined and precise environment, emphasised by the City Oak/Dark Mirror Glass furniture finish.



### IRINA & PETER'S BATHROOM

Irina, 33, and Peter, 36, are lawyers in a small law firm based in Moscow and are partners both inside and outside of work. Both are pragmatic and resolute in their day to day, but when they return home they like to relax in a warm and contemporary environment, with natural and organic elements to help them feel calm.

**For this reason, Irina and Peter have found the perfect design balance by combining Inspira SQUARE and Inspira SOFT with the City Oak furniture finish, a clean and sleek aesthetic softened with natural materials.**



### CLAUDIA'S BATHROOM

Claudia, 26, is an Industrial Designer who lives in Sao Paulo.

Having just arrived in the city, she has settled into an apartment which, although small, is centrally located. Claudia loves simple and minimalist looks which she can personalise with her own accessories.

**Claudia has therefore chosen to combine a compact Inspira ROUND WC with a UNIK basin and double drawer furniture unit to make the most of the space available.**

# Your Style, Your Bathroom

Whoever you are, whatever your style, Inspria offers you the ideal solution.

One single collection, three design lines. Choose your preferred style or simply combine freely from the collection. One thing is for sure, the result will always be perfect.











# Infinite combinations. Infinite spaces

Offering simplicity together with advanced aesthetics, the Inspira collection provides modern sophistication making it the ideal choice for all types of private and commercial bathrooms.



# Inspira Collection

Inspira includes a wide range of washbasins, WCs, bidets and furniture for a complete bathroom experience.

## Washbasins

Discover the wide range of Inspira washbasins, and choose the design which best suits your needs.

### FINECERAMIC®

Inspira washbasins are manufactured using FINECERAMIC®, a new high-quality ceramic material exclusive to Roca.



#### **Precise**

More precision, allowing sophisticated design details and shapes which were not previously possible in standard ceramics

#### **Lightweight**

Up to 40% lighter than conventional washbasins

#### **Stronger**

Up to 30% greater tensile strength compared to most standard fired ceramics

#### **100% Ceramic**

Easy to clean, non porous and resistant to abrasive cleaning products



**On countertop**



**In countertop**



**Wall-hung**

# Furniture

The Inspira washbasins and furniture have been created in unison to ensure a perfect combination and provide a broad choice of design options.

### Wide range

The Inspira furniture collection is available in three size options with three finishes (listed below)

### Modular column unit

The column unit is perfect for increasing storage space without compromising design

Featuring an interior LED light operated by an automatic sensor, glass shelves and full length mirror this is a must for every bathroom space

### Storage

The drawer interior is finished in Dark Textured Wood and is divided to organise items within the space, to suit your personal needs

# WCs and bidets

Roca remains at the forefront of technology with the WCs in the Inspira collection incorporating the latest flushing innovations.

### RIMLESS

The Inspira **wall-hung WC** has optimised design for improved hygiene



### SUPRALIT®

Inspira **seats and covers** for WCs and bidets are made of SUPRALIT®, a resin exclusive to Roca



### Easier to clean

Smooth interior walls and no rim

### More durable

30% stronger and 12% more resistant to chemicals and discolouration

### Hygienic

Uniform distribution of water washes the entire surface of the bowl

### More hygienic

4 times less porous material

### Wall-hung

Both the WC and the seat have integrated hidden fixings for a seamless look

### Easier to clean

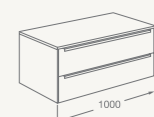
Surface with smoother, rounded edges

### Compact

Ideal for smaller bathrooms the compact close-coupled option is designed specifically for when space is of a premium

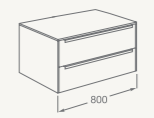
### Soft-close

Seats and covers are available with soft-close hinges for smooth operation, avoiding unexpected loud noises



### Available dimensions

1000 mm  
800 mm  
600 mm



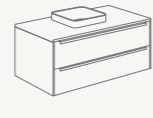
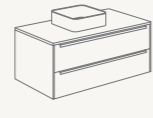
### Available finishes

Gloss White  
City Oak  
City Oak/  
Dark Mirror Glass



### Compatible basins

Wall-hung  
On countertop  
In countertop



### Column unit



Close-coupled



Compact close-coupled



Wall-hung


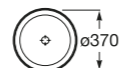

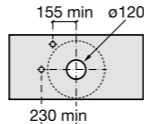

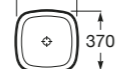
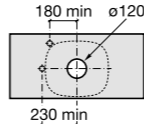


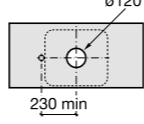

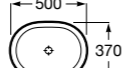
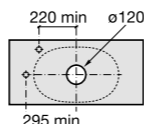

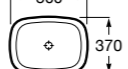

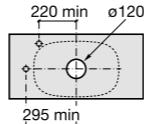


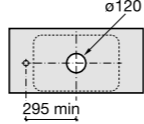



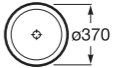

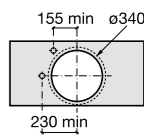

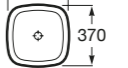
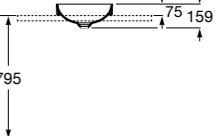
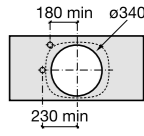


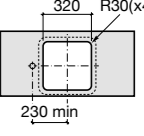
Back-to-wall



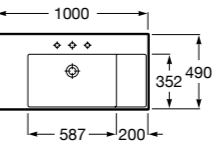
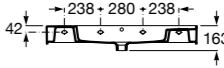
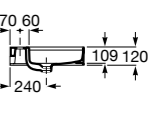


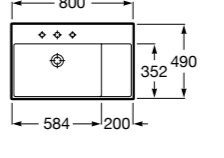
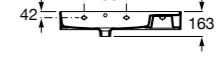
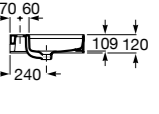


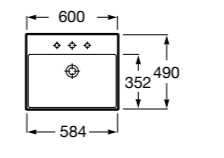
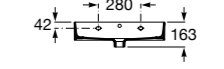
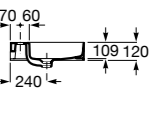
# Inspira Collection



Choose from a wide range of products to create the perfect bathroom.

## BASINS


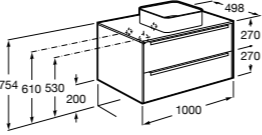

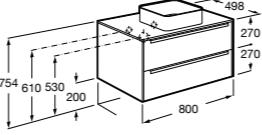

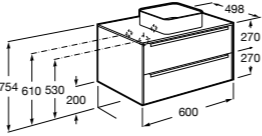



On countertop basins		FINECERAMIC® basin with fixed open waste with ceramic cover ø72mm.			
370 x 370 mm					
Round		Ref. 327523000			
Soft		Ref. 327502000			
Square		Ref. 327532000			
500 x 370 mm					
Round		Ref. 327520000			
Soft		Ref. 327500000			
Square		Ref. 327530000			

In countertop basins		FINECERAMIC® basin with fixed open waste with ceramic cover ø72mm.			
370 x 370 mm					
Round		Ref. 32752R000			
Soft		Ref. 32750R000			
Square		Ref. 32753R000			

Wall-hung basins		FINECERAMIC® basin with fixing kit.			
1000 x 490 mm					
	Ref. 32752A000 				
800 x 490 mm					
	Ref. 32752B000 				
600 x 490 mm					
	Ref. 32752C000 				

-  Pre-punched tap hole (ø 30 mm).
-  Tap hole (ø 35 mm).


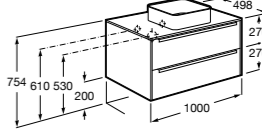

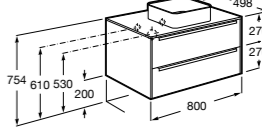

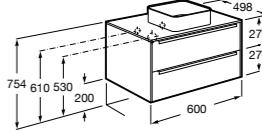



FURNITURE UNITS

Base units and countertops for on countertop basins		Base units with 2 drawers for on countertop basins.
	<p><b>1000mm base unit</b> Ref. 857002... <b>1000mm countertop</b> Ref. 857012...* <b>Optional legs (pair)</b> Ref. 816815339 <b>Required EU to UK adaptor</b> Ref. S28LIS000</p>	
	<p><b>800mm base unit</b> Ref. 857001... <b>800mm countertop</b> Ref. 857011...* <b>Optional legs (pair)</b> Ref. 816815339 <b>Required EU to UK adaptor</b> Ref. S28LIS000</p>	
	<p><b>600mm base unit</b> Ref. 857000... <b>600mm countertop</b> Ref. 857010...* <b>Optional legs (pair)</b> Ref. 816815339 <b>Required EU to UK adaptor</b> Ref. S28LIS000</p>	
<b>Compatible on countertop basins:</b>		
<b>Round</b>		<p><b>370 x 370mm</b> Ref. 327523000 <b>500 x 370mm</b> Ref. 327520000 500 washbasin not compatible with 600mm base unit</p>
<b>Soft</b>		<p><b>370 x 370mm</b> Ref. 327502000 <b>500 x 370mm</b> Ref. 327500000 500 washbasin not compatible with 600mm base unit</p>
<b>Square</b>		<p><b>370 x 370mm</b> Ref. 327532000 <b>500 x 370mm</b> Ref. 327530000 500 washbasin not compatible with 600mm base unit</p>



Replace ...in the product reference with the code of the chosen colour.  
\*Countertop finishes are available in 806 Gloss White and 402 City Oak only.


FURNITURE UNITS

Base units and countertops for in countertop basins		Base units with 2 drawers for in countertop basins.
	<p><b>1000mm base unit</b> Ref. 857002... <b>1000mm countertop</b> Ref. 857020...* Soft/round Ref. 857028...* Square <b>Optional legs (pair)</b> Ref. 816815339 <b>Required EU to UK adaptor</b> Ref. S28LIS000</p>	
	<p><b>800mm base unit</b> Ref. 857001... <b>800mm countertop</b> Ref. 857019...* Soft/round Ref. 857027...* Square <b>Optional legs (pair)</b> Ref. 816815339 <b>Required EU to UK adaptor</b> Ref. S28LIS000</p>	
	<p><b>600mm base unit</b> Ref. 857000... <b>600mm countertop</b> Ref. 857018...* Soft/round Ref. 857026...* Square <b>Optional legs (pair)</b> Ref. 816815339 <b>Required EU to UK adaptor</b> Ref. S28LIS000</p>	
<b>Compatible in countertop basins:</b>		
<b>Round</b>		<b>370 x 370mm</b> Ref. 32752R000
<b>Soft</b>		<b>370 x 370mm</b> Ref. 32750R000
<b>Square</b>		<b>370 x 370mm</b> Ref. 32753R000



Replace ...in the product reference with the code of the chosen colour.  
\*Countertop finishes are available in 806 Gloss White and 402 City Oak only.

FURNITURE UNITS


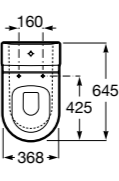
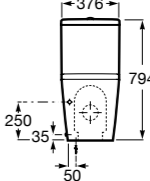
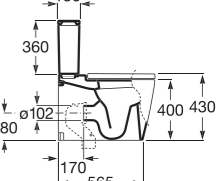

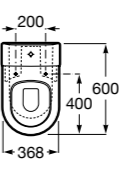
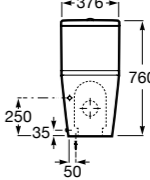
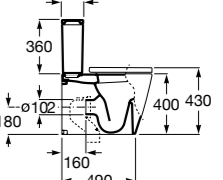

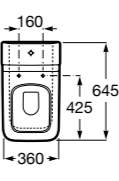
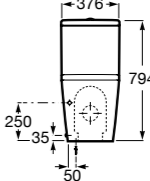
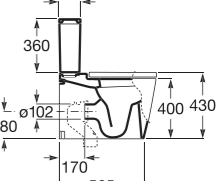
<b>Base unit for wall-hung basins</b>		Base units with 2 drawers for wall-hung basins
	<b>1000mm base unit</b> Ref. 857002... <b>1000mm basin</b> Ref. 32752A000 <b>Optional legs (pair)</b> Ref. 816815339 <b>Required EU to UK adaptor</b> Ref. S28LIS000	
	<b>800mm base unit</b> Ref. 857001... <b>800mm basin</b> Ref. 32752B000 <b>Optional legs (pair)</b> Ref. 816815339 <b>Required EU to UK adaptor</b> Ref. S28LIS000	
	<b>600mm base unit</b> Ref. 857000... <b>600 mm basin</b> Ref. 32752C000 <b>Optional legs (pair)</b> Ref. 816815339 <b>Required EU to UK adaptor</b> Ref. S28LIS000	


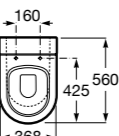
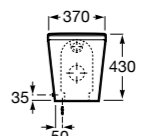
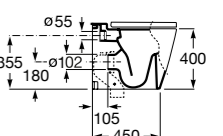
<b>Column unit</b>		Column unit with full-length mirror, adjustable glass shelves and internal lighting <i>* The column units with a wooden finish include one single full-length mirror, either on their outside or their inside.</i>
	<b>Left opening</b> Ref. 857004... <b>Right opening</b> Ref. 857034...	


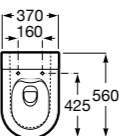
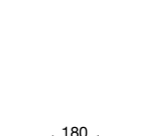
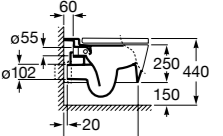

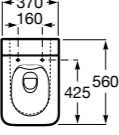
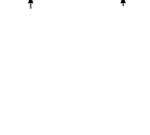
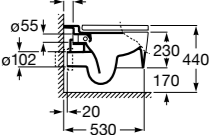
RANGE OF FINISHES

 Gloss White 806	 Textured City Oak 402	 Textured City Oak /Dark Mirror Glass 403
--	---	---


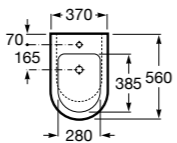
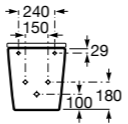
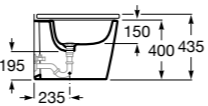

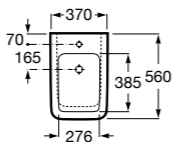
WCs


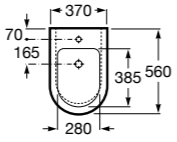
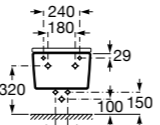
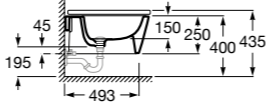

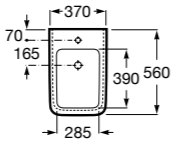
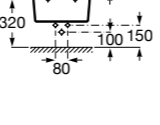
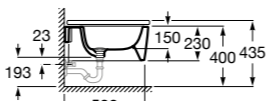
<b>Close-coupled WCs</b>		Comprising of: · Back-to-wall pan with dual outlet · Cistern with dual flush 4.5/3 litres and bottom inlet · SUPRALIT® soft-close seat and cover			
<b>Round</b>		<b>Pan</b> Ref. 342527000 <b>Cistern</b> Ref. 341520000 <b>Seat and cover</b> Ref. 80152200B			
<b>Round (Compact)</b>		<b>Pan</b> Ref. 342528000 <b>Cistern</b> Ref. 341520000 <b>Seat and cover</b> Ref. 80152C00B			
<b>Square</b>		<b>Pan</b> Ref. 342537000 <b>Cistern</b> Ref. 341520000 <b>Seat and cover</b> Ref. 80153200B			

<b>Back-to-wall WCs</b>		Comprising of: · Back-to-wall pan with dual outlet · SUPRALIT® soft-close seat and cover · Compatible with Roca installation systems			
<b>Round</b>		<b>WC</b> Ref. 347527000 <b>Seat and cover</b> Ref. 80152200B			

<b>Wall-hung WCs</b>		Comprising of: · RIMLESS bowl with hidden fixations · SUPRALIT® soft-close seat and cover · Compatible with Roca installation systems			
<b>Round</b>		<b>WC</b> Ref. 346527000 <b>Seat and cover</b> Ref. 80152200B			
<b>Square</b>		<b>WC</b> Ref. 346537000 <b>Seat and cover</b> Ref. 80153200B			

**BIDETS**

<b>Floor-standing bidets</b>		Comprising of: · Back-to-wall bidet · SUPRALIT® soft-close seat and cover (optional)			
<b>Round</b>		<b>Bidet</b> Ref. 357527000 <b>Cover</b> Ref. 80652200B			
<b>Square</b>		<b>Bidet</b> Ref. 357537000 <b>Cover</b> Ref. 80653200B			

<b>Wall-hung bidets</b>		Comprising of: · Bidet with hidden fixations · SUPRALIT® soft-close cover (optional)			
<b>Round</b>		<b>Bidet</b> Ref. 357525000 <b>Cover</b> Ref. 80652200B			
<b>Square</b>		<b>Bidet</b> Ref. 357535000 <b>Cover</b> Ref. 80653200B			

Since 1917, focusing on improving your bathroom experience

AFTER NEARLY 100 YEARS, ROCA HAS PRESENCE IN MORE THAN 135 MARKETS, ALL SUPPLIED FROM ITS 75 PRODUCTION PLANTS AND MORE THAN 20,000 DEDICATED EMPLOYEES AROUND THE WORLD.

Roca is a family-owned company dedicated to the creation of bathroom spaces. It has grown thanks to its efforts in **innovation, design and sustainability** to become a leader in the bathroom sector.

The company, **founded in 1917**, started its activity manufacturing cast iron radiators for domestic use. Over time and thanks to the innovative spirit that has always defined Roca, the business evolved towards the creation of what we now know as bathroom spaces.

**The bathroom space**

Its first factory was set up in Gavà (Barcelona), where it shifted from producing radiators to boilers. The manufacturing of cast iron bathtubs started in 1929 and one year later the first commercial faucets started being produced. However, the most important leap was taken in 1936 when, in response to market demands, Roca started the production of vitreous china bathroom fittings.

In the sixties, Roca advanced in terms of sustainability, reducing the water consumption required for its cisterns. These were also years with a clear commitment to innovation and design, values assimilated by the company in all its ranges. As a result the **Roca Design Centre** was set up, a new product development centre which also



works on the revision and improvement of existing product ranges in its five business units across the globe.

**New horizons**

The 70s were years of growth and expansion, with the setting up of subsidiaries in France and Portugal. One decade later and with the philosophy of improving its products, the company took a new step forward and **started collaborating with the most relevant architects and designers**. As a result of these alliances, some of the most emblematic Roca collections were created, together with **David Chipperfield, Herzog & De Meuron** and **Giorgetto Giugiaro**, amongst others.

From then on, and particularly in the 90s, Roca continued its international expansion in order to achieve its current presence in more than **135 markets**, supplied by its 75 production plants and more than **20,000 employees around the world**.

**Roca Galleries**

With the aim of sharing its history, transmitting its values and offering a real brand experience, in 2009 the company opened the **Roca Barcelona Gallery**, a building with an avant-garde architecture open to the city in which, as well as displaying its collections and products, social and cultural events related to design, architecture, innovation and sustainability are held. The brand's flagship building has increased its presence with openings in **Madrid, Lisbon, London and Shanghai**.

**International fame**

The prestige acquired throughout nearly one century has allowed Roca to be present in some of the most emblematic buildings and spaces around the world. Today, the Roca brand is linked to some of the greatest international architectural firms, large business centres, luxury hotels, theatres, cultural spaces and historic monuments such as the **Eiffel Tower** (Paris), the **Pantanal Estadio Arena** (Brazil), the **Bolshói theatre** (Moscow) or the **Sheraton Huzhou Spring Resort** (China), among others, who have trusted the company to competently equip their bathroom spaces with quality, innovative design products synonymous with a brand like Roca.

**Principle of sustainability**

Roca's worldwide references also demand a high degree of responsibility. For this reason, driven by the importance of preserving the environment, Roca has lead different initiatives throughout the years, such as **Zero Waste** or **Eco-Roca**, to reduce industrial waste and carbon dioxide emissions into the atmosphere in all its factories.

However, Roca's commitment to the planet goes beyond the production processes. So much so that in 2010 it set up the **We Are Water Foundation** with the aim of raising awareness, among the public and institutions, of the need to commit to a new water culture that allows a **fair development and sustainable management of the water resources in the world**. Showing Roca's commitment and solidarity to the people and communities most affected by the lack of access to clean drinking water.

The features and services illustrated in this brochure are subject to change. Roca Ltd reserves the right of make changes or modifications, without prior notice, on any product from this collection. All images are for illustrative purposes only and are purely decorative and may not reflect all technical requirements of installation.



**Roca**